



Handling



Dispensing



Sieving



Blending



Container



Cleaning



THE SERVOLIIFT STANDARD LINE

## Easily raised

Mobile, Slewable Drum Lifter and Dumper



**SERVOLIIFT**  
*lifetime solutions*

Experts in Handling,  
Blending and  
Cleaning Technology

### ► SLD 250

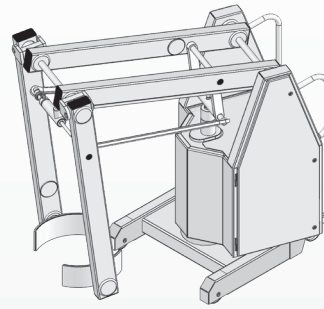
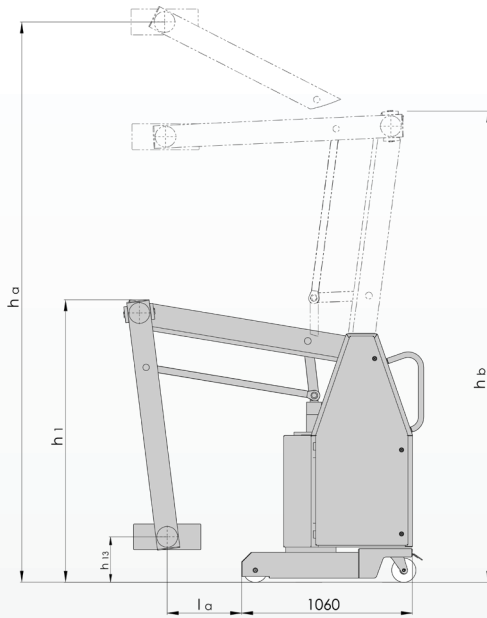
The SLD 250 from SERVOLIIFT with slewable chassis is always in operation where restricted space conditions prevail. Drums of all sizes, shapes and materials can be moved, raised to the desired height, and emptied by the tilting function. The SLD 250 is distinguished by its versatility and easy operation, the ideal piece of equipment for moving, stacking or placing drums horizontally in racks.

Despite its considerable lifting height, the compact design of the mobile SLD 250 enables it to fit through every door.

SERVOLIIFT GmbH  
Albert-Einstein-Straße 9  
77656 Offenburg Germany

T. +49 (0) 781 6100 0  
F. +49 (0) 781 6100 400

info@servolift.de  
www.servolift.de



### Technical Specifications of the SLD 250

|   |   |         |         |
|---|---|---------|---------|
| <b>Models</b>                               |   |         |         |
| Drives                                      | Three phase current - battery - compressed air powered            |         |         |
| Electrical protection                       | IP52 - IP54 - IP55  |         |         |
| Explosion protection options                | ATEX Directive 94/9/EC  |         |         |
| Areas of application                        | Pharmaceutical, food technology, chemical and related industries  |         |         |
| <b>Load capacity</b>                        | 150 kg  | 250 kg  |         |
| <b>Functions</b>                            |   |         |         |
| Lifting / lowering                          | Adjustable speed, max 15 cm/s                                     |         |         |
| Forward / backward tilting                  | 180° < 12s, torque 500Nm (optional 800Nm)                         |         |         |
| Gripping / releasing                        | Clamping cylinder with safety valves                              |         |         |
| Drive unit (optional)                       | Maintenance-free 3-phase motor                                    |         |         |
| <b>Max lift height h<sub>a</sub></b>        | 2600 mm   | 3450 mm | 4250 mm |
| Extension distance l <sub>a</sub>           | 470 - 640 mm  |         |         |
| Clearance in lowest position h <sub>1</sub> | 1670 mm   | 1740 mm | 1770 mm |
| Min. lift height h <sub>13</sub>            | 250 mm  | 250 mm  | 100 mm  |
| Min. ceiling height h <sub>d</sub>          | 2270 mm   | 2930 mm | 3130 mm |
| rotation angle                              | infinite  |         |         |
| Grippers                                    | Fixed gripper up to Ø 600 mm - special grippers                   |         |         |
| Applicable for                              | Stainless steel drums - steel drums - fiber drums - plastic drums |         |         |