



Handling



Dispensing



Sieving



Blending



Container



Cleaning

## Pharma Container

Available in almost all kinds of volumes and shapes



**SERVOLIFT**  
lifetime solutions

Experts in Handling,  
Blending and  
Cleaning Technology

### ► Pharma Container

This container has been developed especially for the pharmaceutical industry. It can be used as transport-, store-, and as a blend-container. A special feature of the container is its cleaning friendly design.

Almost all features can be realized by the different options.

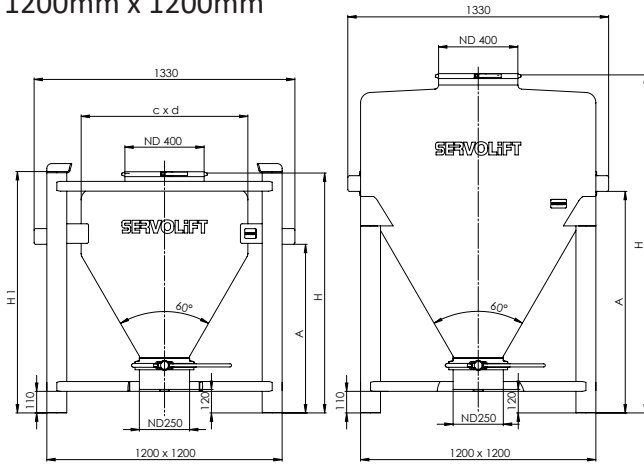
SERVOLIFT GmbH  
Albert-Einstein-Straße 9  
77656 Offenburg Germany

T. +49 (0) 781 6100 0  
F. +49 (0) 781 6100 400

info@servolift.de  
www.servolift.de

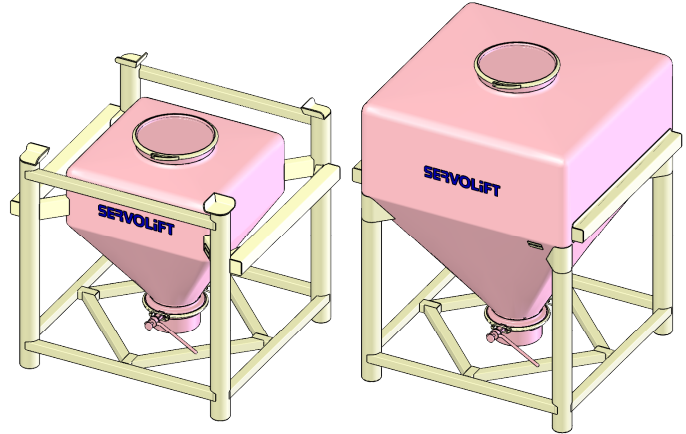


## Standard Container Big 1200mm x 1200mm



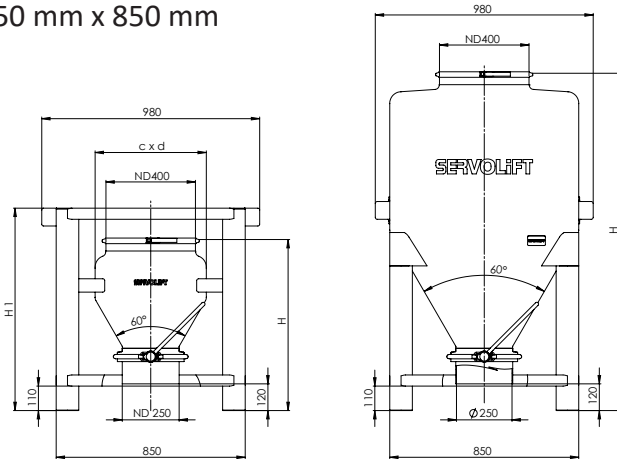
50 - 600 Liter

800 - 2000 Liter



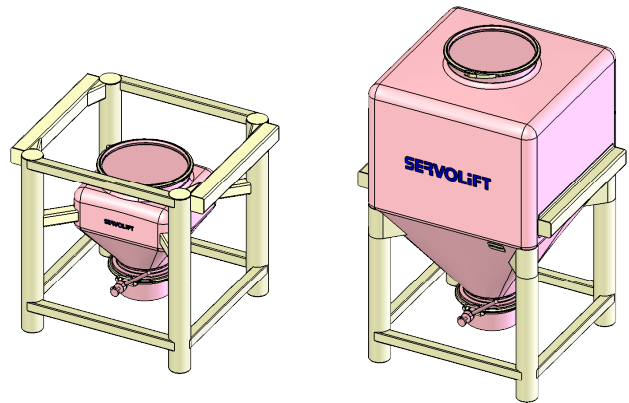
Nenngröße / size	Liter	50	60	80	100	120	150	200	250	300	400	500	600	800	1000	1200	1500	1800	2000		
c x d =	mm	500 x 500				640 x 640				850 x 850				1200 x 1200							
Oberfläche / surface	m <sup>2</sup>	0,78	0,87	1,04	1,22	1,46	1,66	1,99	2,32	2,63	3,11	3,56	4,07	5,17	5,85	6,55	7,57	8,61	9,3		
Gewicht / weight	kg	98	101	110	119	137	141	153	165	160	175	190	205	195	210	225	245	313	340		
Höhe / height H	mm	639	682	768	853	821	899	1029	1158	1075	1222	1369	1515	1431	1576	1722	1942	2163	2311		
Höhe / height H I	mm	946				946				1029				1158				NA			
Höhe Holme A height Bars A	mm	860				860				860				860				1130		1375	

## Standard Container Small 850 mm x 850 mm



50 - 250 Liter

300 - 600 Liter



Nenngröße / size	Liter	50	60	80	100	120	150	200	250	300	400	500	600				
c x d =	mm	500 x 500				640 x 640				850 x 850							
Oberfläche / surface	m <sup>2</sup>	0,78	0,87	1,04	1,22	1,46	1,66	1,99	2,32	2,63	3,11	3,56	4,07				
Gewicht / weight	kg	98	100	103	107	108	112	122	135	127	137	147	158				
Höhe / height H	mm	641	682	768	853	821	899	1029	1158	1075	1222	1369	1515				
Höhe / height H I	mm	916				916				1029				1158			
										NA							

Material:

AISI 316L (1.4404) product contact surfaces

AISI 304 (1.4301) non-product contact surfaces

Recommended discharge valves: ND 250

All product contact parts with Certificate of conformity or FDA-approval

Many options available like wheels, handlebar, vibrators, filters, flanges, valves, stacking corners, etc ...