



Handling



Dispensing



Sieving



Blending



Container



Cleaning

Blending was never easier

With a convenient handling function



SERVOLIFT
lifetime solutions

Your specialist for
complete handling-, blending-
and cleaning technologies

► Drum Blender

The SERVOLIFT drum blender is designed to fit the needs of the pharmaceutical, food, and chemical industries.

It is equipped with user-friendly technology.

With the lifting function, the drum can be lifted from the floor or a drum dolly and raised to the blending height.

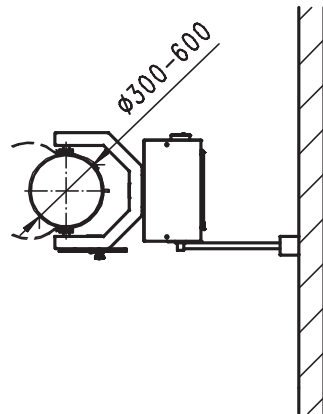
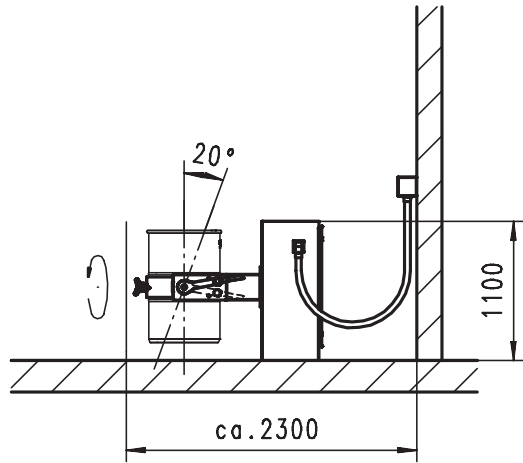
SERVOLIFT GmbH
Albert-Einstein-Straße 9
77656 Offenburg Germany

T. +49 (0) 781 6100 0
F. +49 (0) 781 6100 400

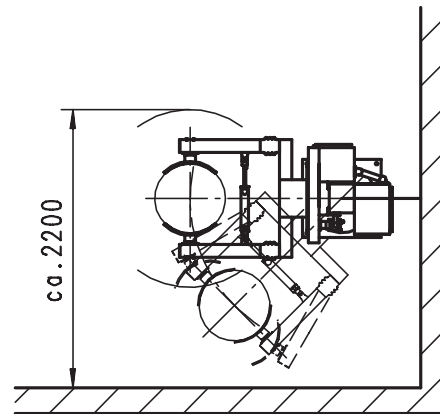
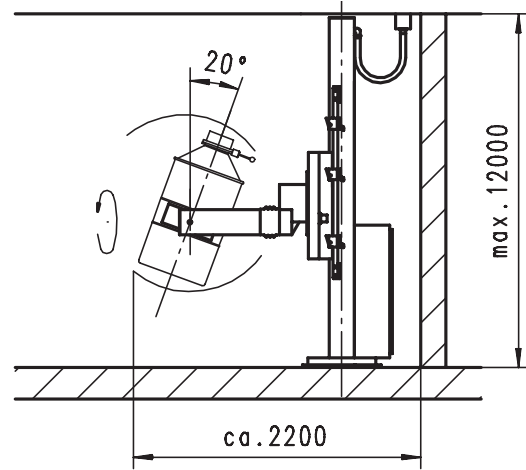
info@servolift.de
www.servolift.de



Drum blender without lifting function



Drum blender with lifting function



Technical Specifications

Max Load capacity	150 kg	200 kg	300 kg
Installation	Stationary		
Design	Stainless steel, GMP - compliant		
Functions	blending, lifting/lowering, clamping/releasing, forward/backward tilting, forward/backward slewing, drum positioning		
Filling degree	20 % - 80 %		
Areas of application	Pharmaceutical, food, and chemical industries		
Applicable for	Stainless steel, steel, plastic drums, fiber drums, silos		
Bins	50 L to 400 L		
Product	solids, free-flowing		
Speed	5 - 25 rpm		
Control system	Relay or programmable logic control (PLC)		
Safety	Safety light barrier or curtain, laser scanner or safety prompt on the access door		

- Drum Blender:**
- for integration in upstream and downstream processes
 - for transferring or sieving contents into bins positioned underneath
 - for easy manual or hydraulic handling of drums
 - for blending a wide variety of bins with the help of suitable pick-up systems