



Handling



Dispensing



Sieving



Blending



Container



Cleaning



## Exact Pressure Flexible Drum Crusher



**SERVOLIFT**  
lifetime solutions

Experts in Handling,  
Blending and  
Cleaning Technology

### ► Flexible Drum Crusher

The drum crusher is designed to break up solidified products into drums and containers made of steel, plastic or fibre.

Especially in bulbous drums or drums with retracted edges, it is not possible to break open the product block and empty it without massive external impact.

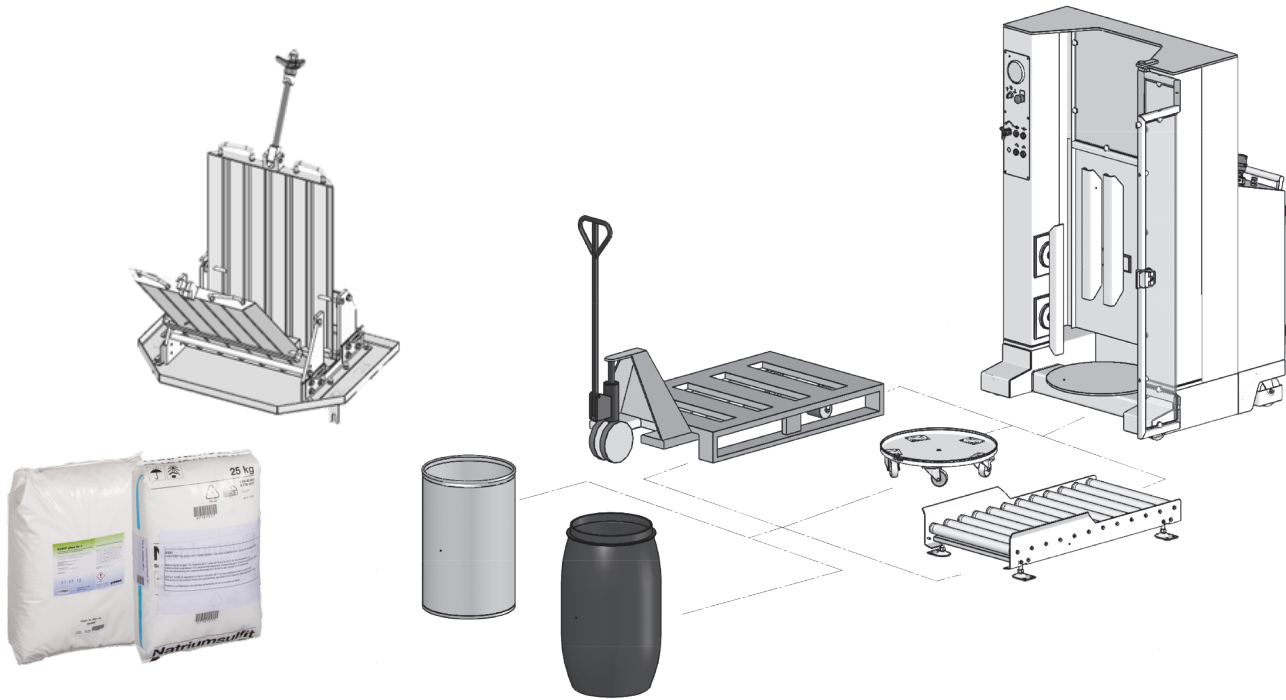
It is easier and above all safer to do this with the drum crusher.

With the additional bag crusher rack it is also possible to break up solidified products in bags.

SERVOLIFT GmbH  
Albert-Einstein-Straße 9  
77656 Offenburg Germany

T. +49 (0) 781 6100 0  
F. +49 (0) 781 6100 400

info@servolift.de  
www.servolift.de



		Min.	Max.	Ø Empfohlen Recommended	Höhe Height	Kraft einstellbar Force adjustable
Druckleiste, Pressure bar	#1	400	600	500 - 570	200 - 880	2 x 13 kN
	#2	320	520	400 - 500	200 - 880	2 x 13 kN
	#3	120	420	180 - 400	200 - 880	2 x 13 kN
	#4	Sondergrösse, Customized size				



A rotary table brings the container into the correct position. A total of 4 cylinders and 2 pressure bars, which are arranged in pairs, make it possible to apply the pressure exactly where it is needed. The pressure cylinders can be controlled either individually or in pairs. The drum crusher is available as a mobile and stationary unit. The safety door with Makrolon screen allows the operator to work safely and cleanly without losing sight of the drum or the product.